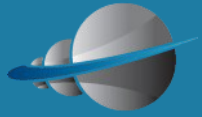


Obstacle Types

As standard the PG127 is fitted with 870mm high PMMA plexiglass. PMMA provides better protection against intruder abuse as it is much harder to break than toughened glass.

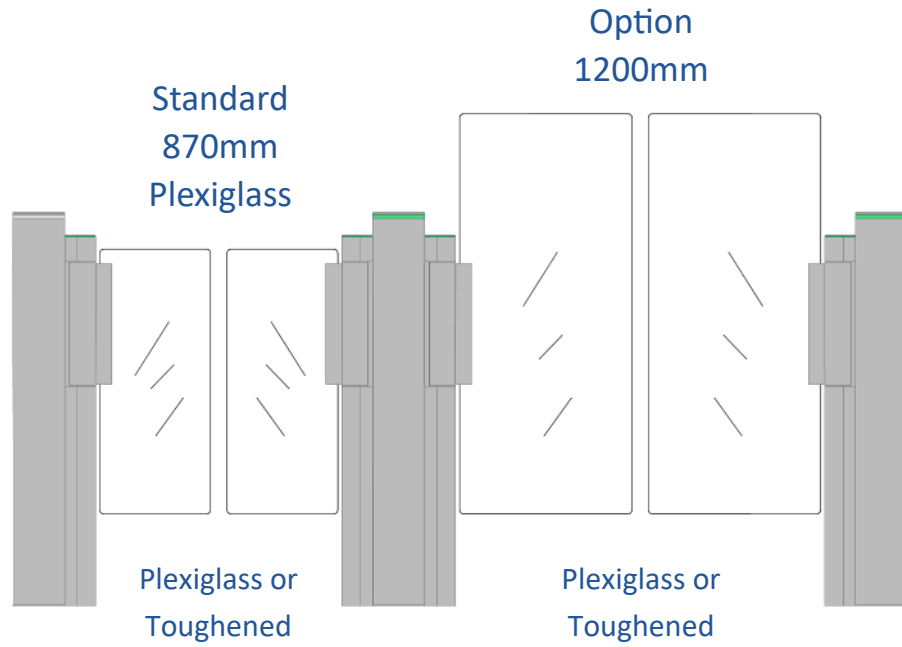


OBSTACLE TYPES

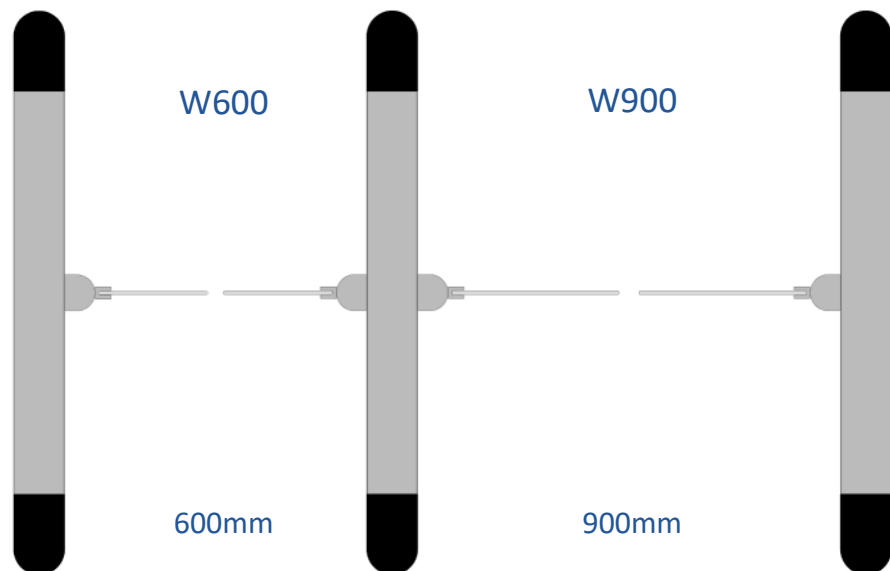
OBSTACLE OPTIONS

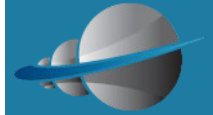
1. Various heights.
2. Various widths.
3. Different types of material.
4. Different types of manifestation.

OBSTACLE HEIGHT



OBSTACLE WIDTHS





MATERIAL

As an option to the PMMA plexiglass, the PG127 range can be fitted with 8mm thick toughened safety glass manufactured to EN 12150-1.

As standard the toughened glass is fitted with a laminate, allowing the glass to meet BS EN 12600.

MANIFESTATION

Building regulations states that people with impaired vision should be in no doubt as to the location of glass entrance doors, especially when they are within a glazed screen.

To satisfy this requirement the gate obstacles must be clearly defined with manifestation 850 to 1000mm above the floor.

contrasting visually with the background seen through the glass (both from the inside and outside) and in all lighting conditions

Manifestation can be a logo or sign at least 150mm high (repeated if on glass screen), or a decorative feature such as broken lines or continuous banks, at least 50mm high.

As a minimum we recommend standard frosted 50mm Dia dots 100mm apart.

HOW TO CONTACT US

UK Head Office

Evolve Security Products Ltd.

Unit 4, Kenyons Yard,
Weyhill Road,
Andover,
Hampshire.
ENGLAND
SP10 3NP

t: 0044 1264 334786

e: Sales@EvolveSecurityProducts.com

w: EvolveSecurityProducts.com

w: Evolvesp.net

HK Head Office

Evolve Autogate Products Ltd.

Flat C,4/F
Lladro Center,
No., 72 Hoi Yuen Road,
Kwun Tong,
Kowloon.
HONG KONG

t: 00852 35231568

e: info@Evolve-Autogate.com

w: Evolve-Autogate.com

**[Click Here For Full List of
Global Contacts](#)**

“Evolving the way you manage your pedestrian access.”